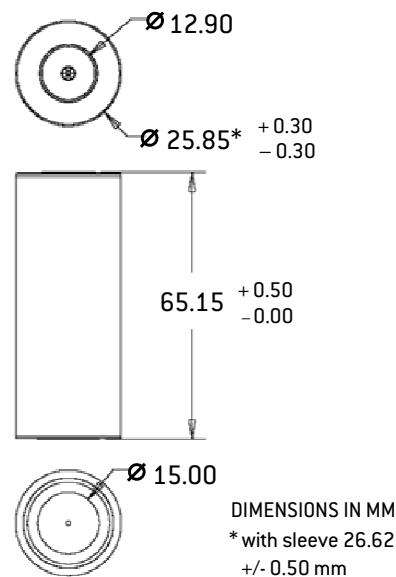


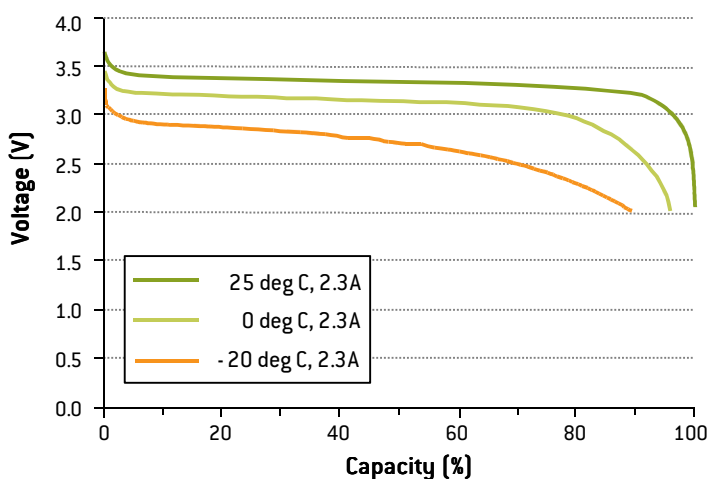
High Power Lithium Ion ANR26650 $m1$

A123Systems' lithium ion rechargeable ANR26650 $m1$ cell is capable of very high power, long cycle and calendar life, and is inherently safer due to its use of patented Nanophosphate™ technology.

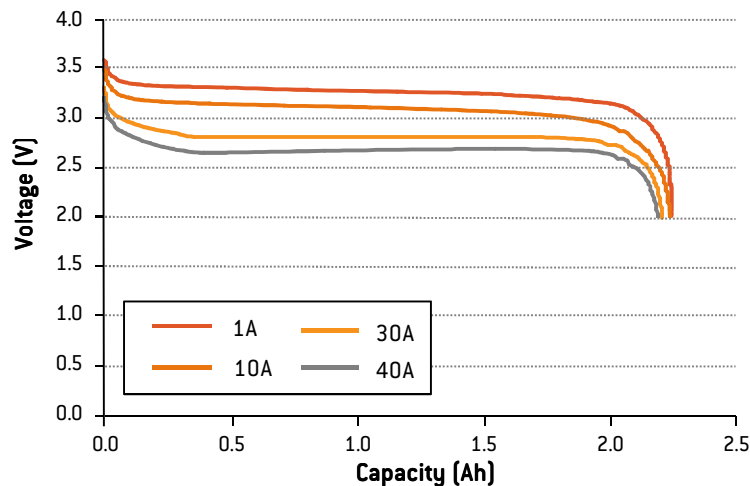
Nominal capacity and voltage	2.3 Ah, 3.3 V
Internal impedance (1kHz AC)	8 m Ω typical
Internal resistance (10A, 1s DC)	10 m Ω typical
Recommended standard charge method	3A to 3.6V CCCV, 45 min
Recommended fast charge current	10A to 3.6V CCCV, 15 min
Maximum continuous discharge	70A
Pulse discharge at 10 sec	120A
Cycle life at 10C discharge, 100% DOD	Over 1,000 cycles
Recommended pulse charge/discharge cutoff	3.8V to 1.6V
Operating temperature range	-30°C to +60°C
Storage temperature range	-50°C to +60°C
Core cell weight	70 grams



Low Temperature Discharge Performance



Discharge Characteristics, 25 deg C



Cycle Life Performance, 100% DOD, Various Temperatures

