



swisslicht

**The ultimate searchlight**

**swisslicht SL1**



**sensationallight**

Swiss + Licht AG  
Hintere Kreuzgasse 3  
6422 Steinen, Schweiz  
Tel: +41 41 832 06 07



## Extraordinary features of the **swisslicht SL1**

### **Highest light output**

One of the brightest, mobile lamps of the world (comparable with the light output of 6 medium class cars). 6 to 8 times better than standard halogen lamps.

### **Lowest energy consumption**

A real energy saving lamp - with 40W it generates 4000 lumen. A normal light bulb will need at least 400W, a modern halogen lamp will need about 150W and LED will need 80 W to generate the same light output.

### **Longest range**

Focused at about 3° one can see up to 1.5 km distance. The deployed mirror has been custom-designed for the mobile deployment of this type of HID-bulb.

### **Simple handling**

With one single hand movement you can replace the rechargeable battery, no screwing, no cords, and no single use batteries. With a single hand movement you can change the focus of the beam and also change the light output between high output and long operation time.

### **Longest runtime for rechargeable batteries**

One charge last more than 4 hours for long operation time (at ca. 2000

lumen) and more than 2 hours for high output (at ca. 3200 lumen). Charging time is less than 2 hours due to a new charging electronic. With a single spare rechargeable battery one can run the searchlight continuously - even in high output mode.

### **Compact electronic for ballast**

The newly designed ballast-electronic is up to 10 times smaller than comparable solutions which offers big advantages in regard to design, weight and heat.

### **Perfect manufacturing and assembly**

The manufactured aluminium body is so precisely worked and assembled that the searchlight is not only waterproof but also watertight until 30m (IP68). However, the swisslicht SL1 is not a diving lamp; neither bulb, mirror, contacts nor focusing mechanism are designed for underwater operations.

### **High end finish, custom design**

All our products are distinguished by a high end finish which can be had in black anodised, coloured anodised, chrome, silver, and gold or many other finish and surface treatments. We offer also a custom design according to your requests.

## Standard Shipment



## Mirror and Xenon HID Bulb



## Lamp head and rechargeable battery separated



## Filter and Filteradapter



## Tripod Option

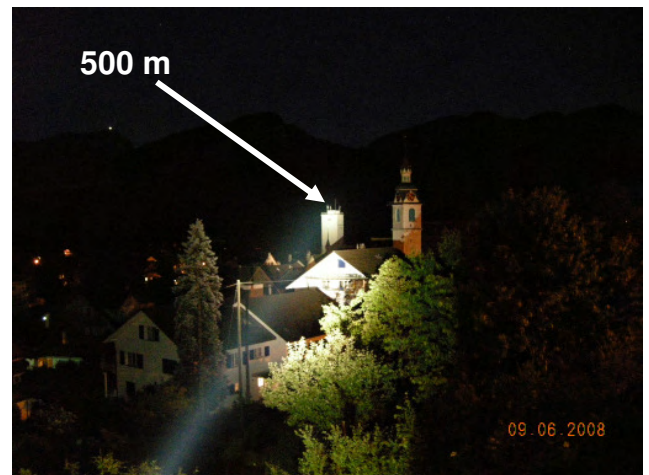


## Easy use with a strap

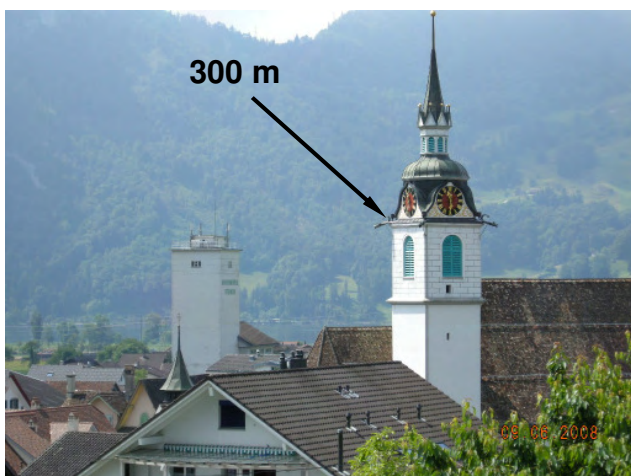


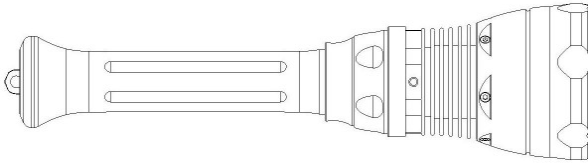
## Excellent light range of the **swisslicht SL1**

### Target in 500 m distance



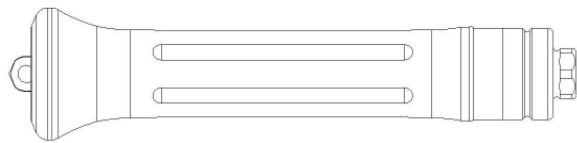
### Target in 300 m distance





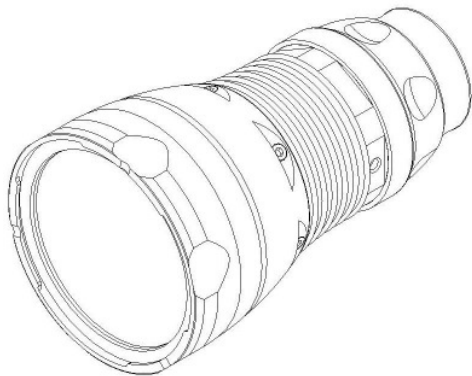
### Searchlight:

Length:	485 mm
Diameter:	128 mm
Weight:	2650 g
Standard	IP 68 (30m)
Light:	HID Bulb
Consumption	35 Watt or 25 Watt
Colour Temperature	4100 K



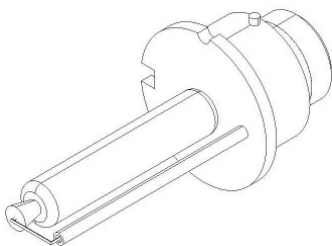
### Rechargeable Li-Ion Battery:

Length:	327 mm
Diameter:	50 mm
Weight:	1100 g
Charging Time 80%:	2:00 h
Charging Time 100%:	4:00 h
Working at 35 Watt:	2:30 h
Working at 25 Watt:	4:00 h
Loading Cycles:	>1000
Self discharge:	< 3% / Month



### Lamp Head:

Length:	220 mm
Diameter:	140 mm
Weight:	1550 g
Front lens:	Borofloat, non-reflecting
Thickness:	3.8 mm
Mirror:	Aluminium metallised
Aperture:	105 mm
Filter socket:	Bayonet



### Light source:

Type	HID
35 Watt	3200 Lumen
25 Watt	1700 Lumen
After 1500 hours	75% or better
Light cone	spot and flood